

Specification

Input Voltage	100 - 240Vac +/-10%
Input Frequency	50 - 60Hz
Output Voltage	
Fast Charge (AGM)	DC 29.6V (+/- 0.2V)
Float Charge (AGM)	DC 27.4V (+/-0.2V)
Fast Charge (GEL)	DC 28.6V (+/- 0.2V)
Float Charge (GEL)	DC 26.6V (+/-0.2V)
Charging Current	
Fast Charge	DC 2000mA +/- 5%
Float Charge	<DC 500mA
Over Voltage Protection	DC 31V Max.
Over Current Protection	DC 2.5A Max.
Leakage Current	0.75mA Max.
Input Power	3.5 W
Input Standby Power	<1.0 W
Efficiency	>85% @ Full Load
Battery Charging Capacity	7 - 22 Amp Hours
Output Cord	2m long, SJT type (Hard Usage) with XLR 3-pin Male Connector
Dielectric Withstand Voltage	AC 3.0KV for 1 min. @ 10mA leakage
Insulation Resistance	50Mohm Min. at 500Vdc between Primary and Secondary
Operation Temperature	-25°C to 50°C
Storage Temperature	-25°C to 60°C
Safety Standards	The charger shall meet the requirements of UL 1012 special purpose, ISO 7176 -14, ISO 7176 - 21, ISO 7176 - 25, off-board IPX 1, RESNA WC - 2, EN12184. Efficiency certified to DOE and CEC requirements per 10 CFR 430, subpart B, appendix Y.



Due to continuous improvements to our products, product may vary slightly from depiction.

2 LEDs for Status Indication

1. Power LED (Clear Lens - Red Color)

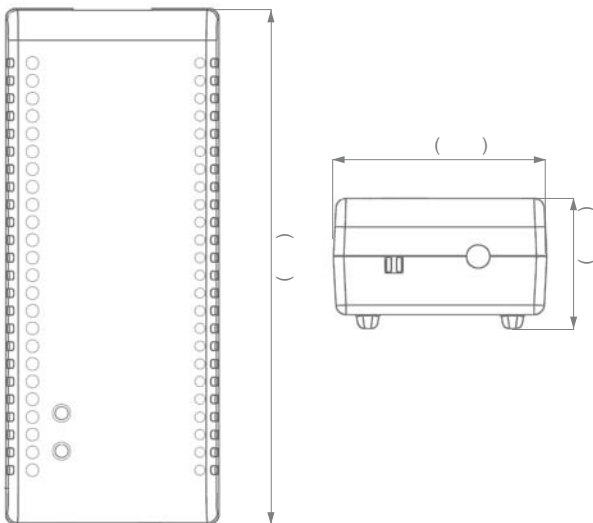
Description	LED
Power On	On
No AC Power	Off

2. Charging / Faults - LED (Clear Lens - Red / Green Color)

Charging - Description	Red LED	Green LED
No Battery/Full Charge (20 Hrs)	Off	Off
Bulk /Absorption Charge	On	Off
Float Charge	Off	Continuous Blinking
Maintenance Charge	Off	On Steady

INDICATION CHARGE/FAULT - Red LED		FAULT
1	LED is off.	No batteries - Voltage < 9V
2	LED - continuous rapid flashing	12 hr. charge timed out
3	LED-1 flashes every 3 sec.	Battery voltage < 14V
4	LED-2 flashes every 3 sec.	Batteries are connected in reverse polarity
5	LED-3 flashes every 3 sec.	Over voltage from batteries
6	LED-4 flashes every 3 sec.	Over current from charger

Dimensions: inches (mm)



Features:

The factory default for this charger is set to charge AGM batteries. To charge GEL batteries move the switch located on the front end of the charger to the GEL position.

For **AGM** batteries the charger provides Three Charge States. An integrated circuit monitors and controls both the output voltage and current of the charger through three separate charge states.

1. A *HighCurrent Fast Charge State*: battery charges at 3,500mA fast charge current rate until battery voltage of 29.6V is reached.
2. A *Topping Charge State*: battery charges at 29.6V constant voltage and current begins to taper until current is less than 500mA.
3. A *Precision Float Charge State*: the charger changes to the float state and holds the battery voltage at 27.4V.

For **GEL** batteries the charger provides Three Charge States. An integrated circuit monitors and controls both the output voltage and current of the charger through three separate charge states.

1. A *HighCurrent Fast Charge State*: battery charges at 3,500mA fast charge current rate until battery voltage of 28.6V is reached.
2. A *Topping Charge State*: battery charges at 28.6V constant voltage and current begins to taper until current is less than 500mA.
3. A *Precision Float Charge State*: the charger changes to the float state and holds the battery voltage at 26.6V.

Note: For battery maintenance this battery is equipped with "Auto-Restart" that will start the charge cycle again when battery voltage drops to 25.3VDC.

Protections:

- Short Circuit Protection
- Over Current Protection
- Over Voltage Protection
- Battery Polarity Reversal