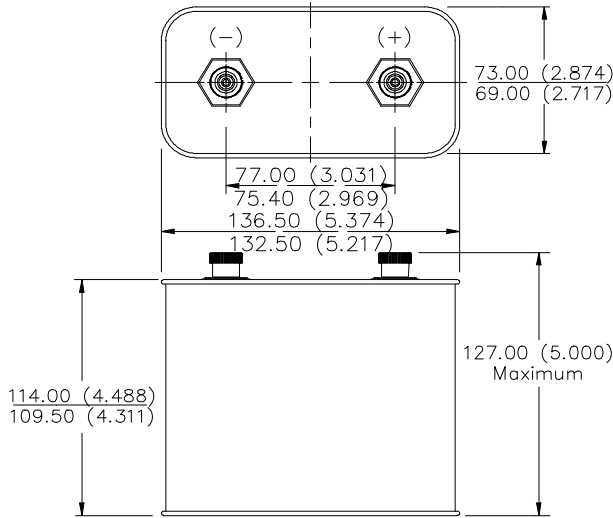


ENERGIZER NO. 521



Industry Standard Dimensions in mm (inches)



6V

Chemical System: Alkaline
 Zinc-Manganese Dioxide (Zn/MnO₂)
 (No Added Mercury or Cadmium)

Designation: ANSI-918A, IEC-4LR25-2

Battery Voltage: 6.0 Volts

Operating Temp: -18°C to 55°C (0°F to 130°F)

Average Capacity: 52,000 mAh (to 0.8 volts / cell)
 (Rated capacity at 25 mA continuous drain.)

Average Weight: 1,900 grams (67.3 oz.)

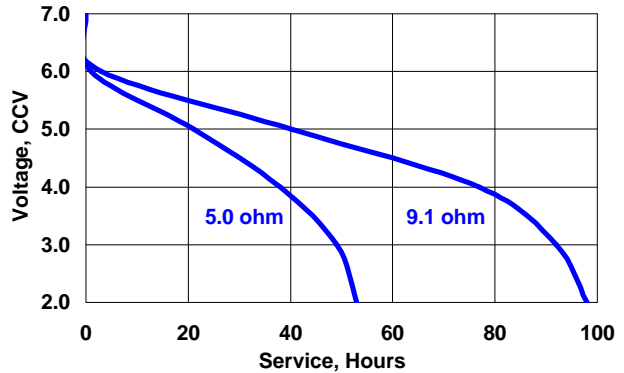
Volume: 1,123 cubic centimeters (68.5 cubic inch)

Cell: Eight No. 3-361
 Two parallel strings of four in series

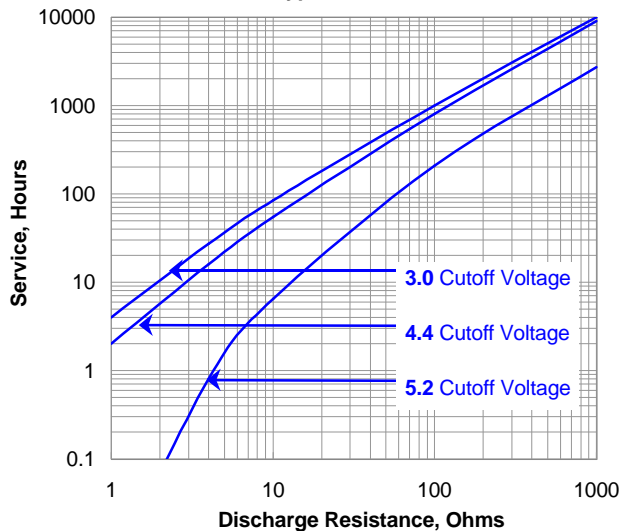
Jacket: Metal

Terminal: Screw Post

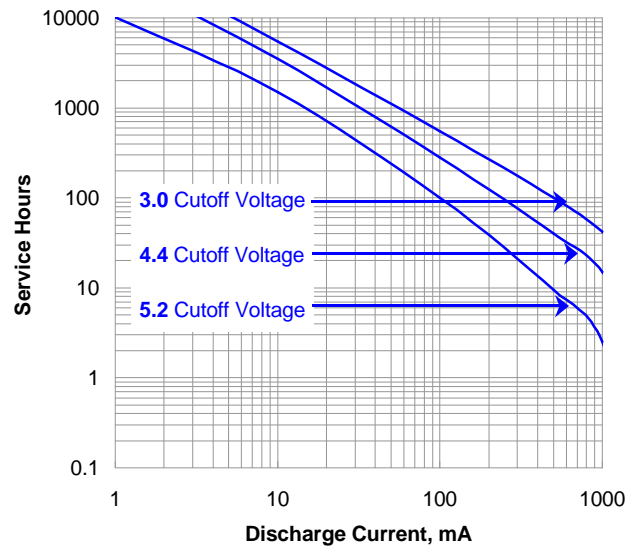
PORTABLE LIGHTING
 Continuous Tests @ 20°C



CONSTANT RESISTANCE PERFORMANCE
 Typical Service



CONSTANT CURRENT DISCHARGE
 Typical Service



Important Notice

This data sheet contains information specific to batteries manufactured at the time of its publication.

Contents herein do not constitute a warranty.

Copyright © Eveready Battery Co. - All rights reserved